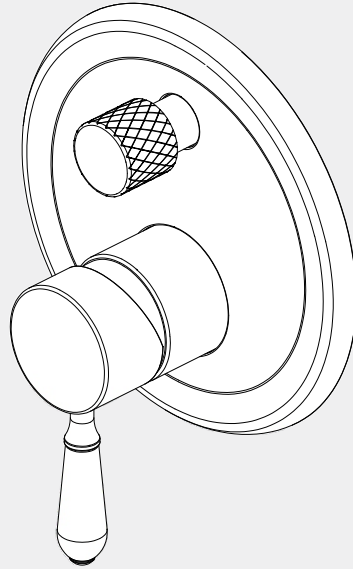


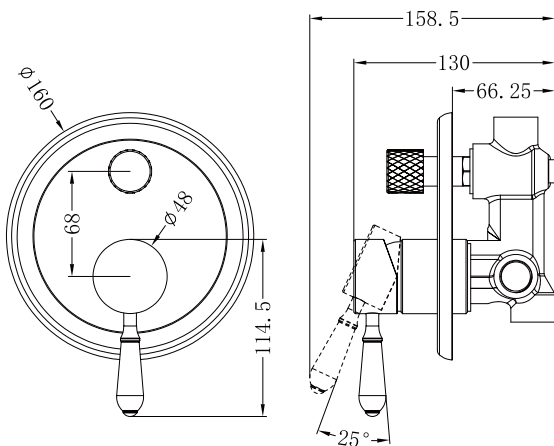
# York Shower Mixer With Divertor

# Nero



Versions:202311

## Drawing



## Specifications

### SKU

NR692109a

### Watermark License

WM-060073

### Temperature Rating

Min 1°C-Max 75°C

### Pressure Rating

Min 150kpa - Max 500kpa

## Finish



CHROME WITH WHITE PORCELAIN LEVER

NR692109a01CH



CHROME WITH METAL LEVER

NR692109a02CH



CHROME WITH BLACK PORCELAIN LEVER

NR692109a03CH



MATTE BLACK WITH WHITE PORCELAIN LEVER

NR692109a01MB



MATTE BLACK WITH METAL LEVER

NR692109a02MB



AGED BRASS WITH WHITE PORCELAIN LEVER

NR692109a01AB



AGED BRASS WITH METAL LEVER

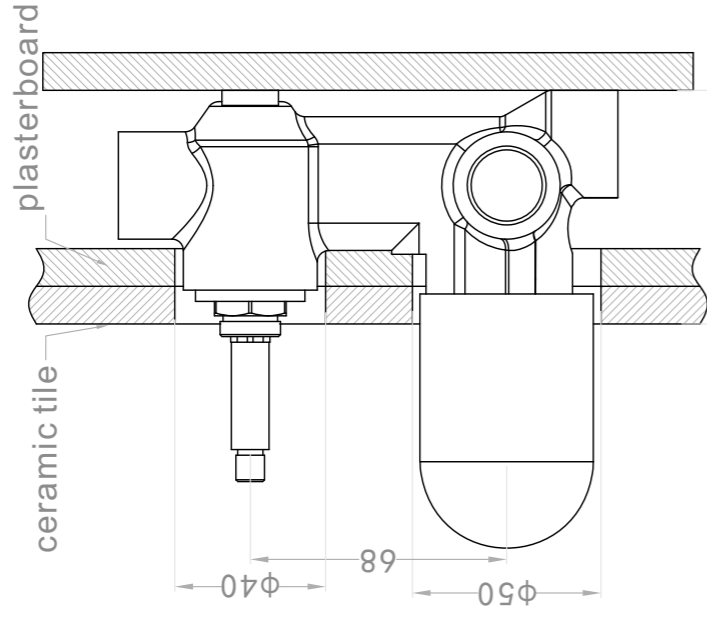
NR692109a02AB

## Packaging Includes

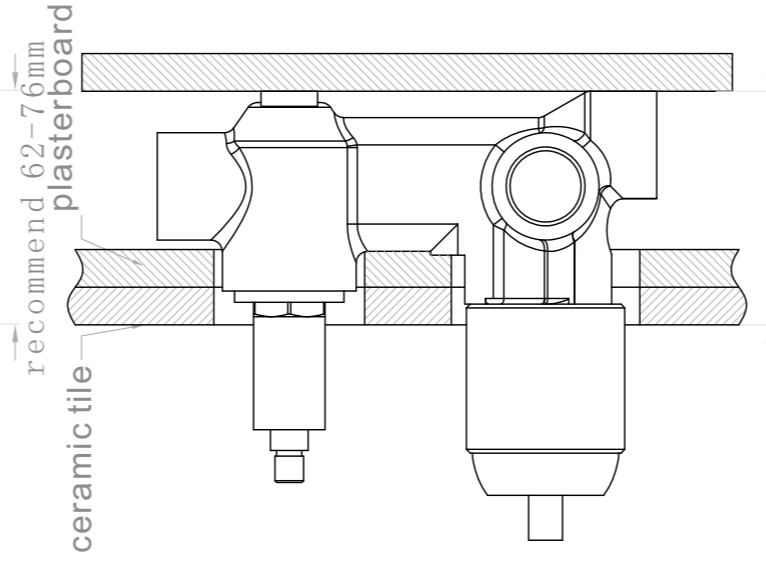
- 1x body set
- 1x handle
- 1x plate
- 1x diverter
- 1x accessories pouch

\*Dimensions are nominal measurements only.

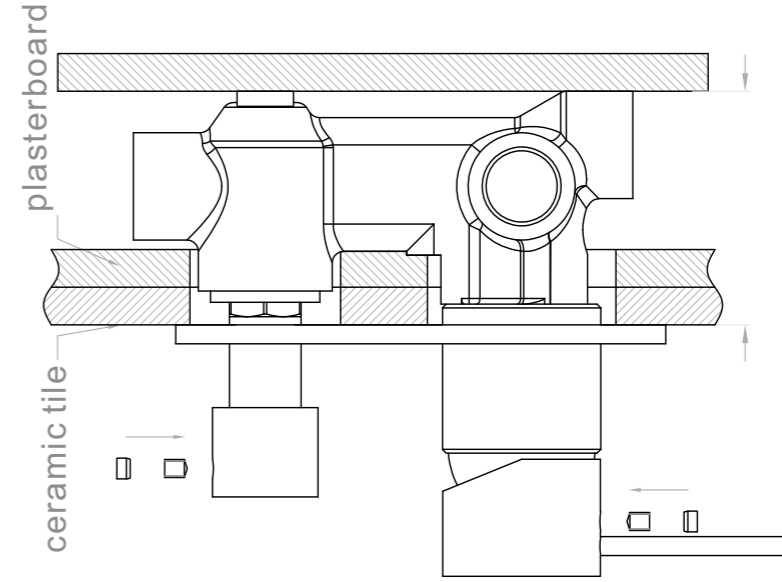
# Installation Instruction



1. Fix body on noggin and ensure installation depth is 62-76mm from noggin to ceramic tile.
2. Connect cold water hose and hot water hose and test for leakage.
3. Install plasterboard and ceramic tile after drilling a  $\phi 50$  and a  $\phi 40$  hole according to the right drawing.



4. Remove the plastic sleeve and install sleeve of divertor.



5. Install plate, handle and knob.

# Nero

[info@nerotapware.com.au](mailto:info@nerotapware.com.au)  
[nerotapware.com.au](http://nerotapware.com.au)

11-13 Buontempo Road  
Carrum Downs Vic 3201

