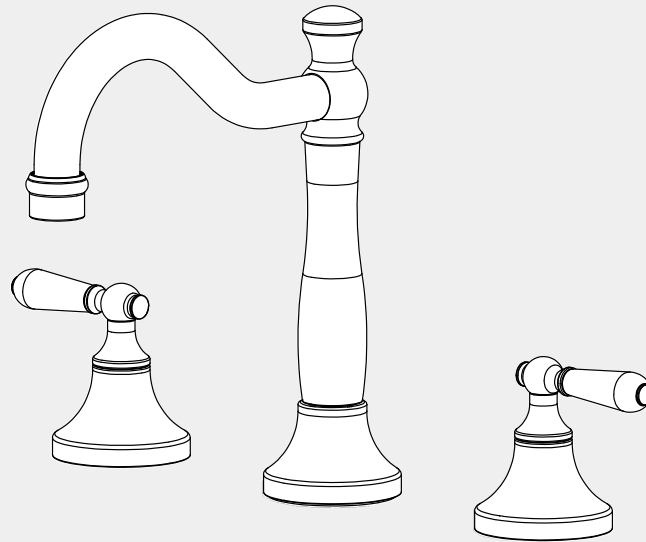


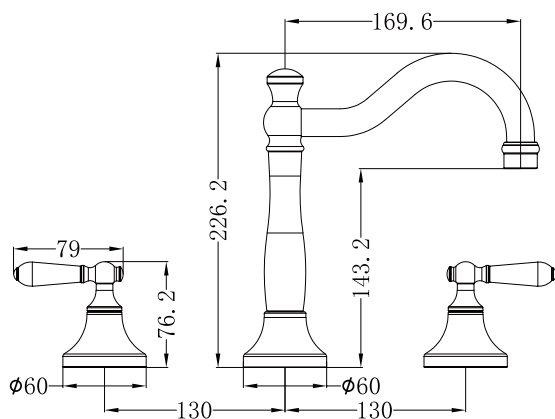
York Basin Set

Nero



Versions:202401

Drawing



Specifications

Watermark License

WM-060073

Temperature Rating

Min 1°C-Max 75°C

Pressure Rating

Min 150kpa - Max 500kpa

Packaging Includes

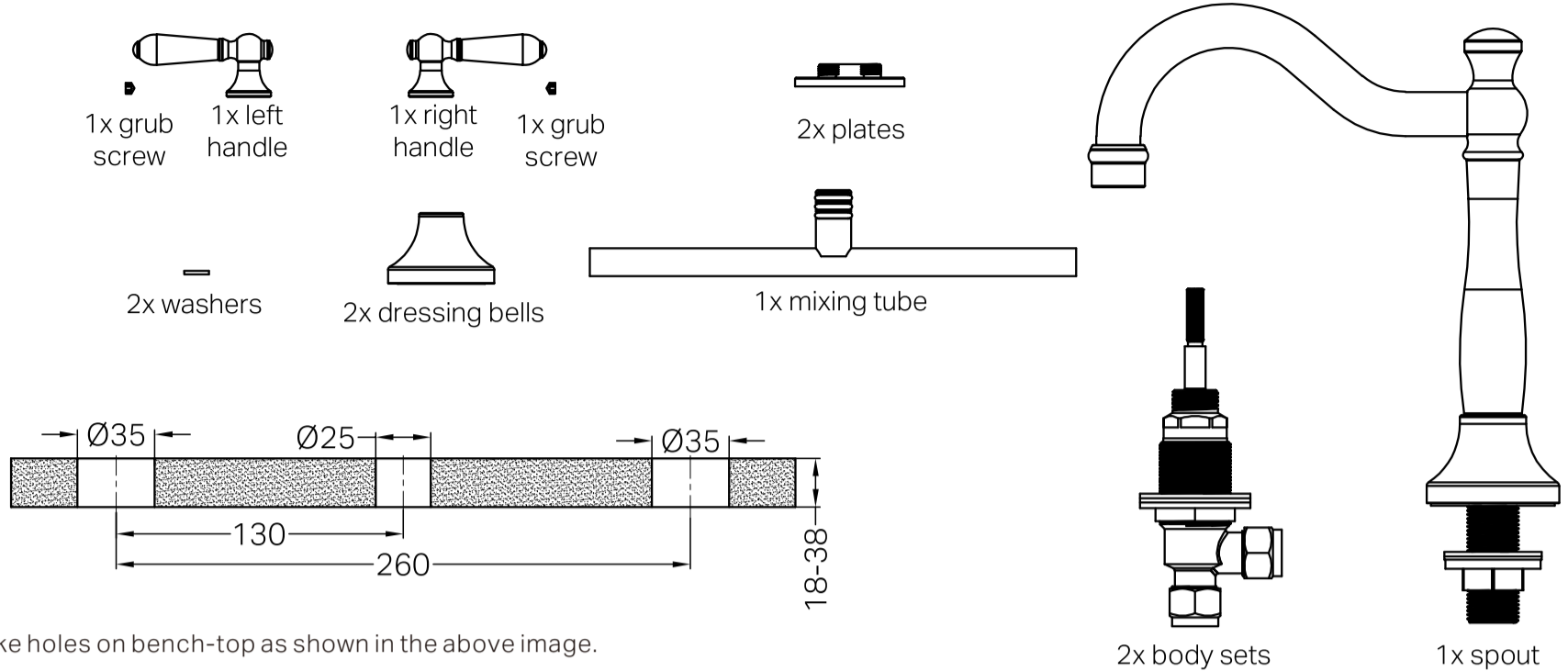
1x Spout
2x Wall Top Handles
1x Mixing Tube

Finish & SKU

	CHROME WITH WHITE PORCELAIN LEVER NR692102a01CH		MATTE BLACK WITH METAL LEVER NR692102a02MB
	CHROME WITH METAL LEVER NR692102a02CH		AGED BRASS WITH WHITE PORCELAIN LEVER NR692102a01AB
	CHROME WITH BLACK PORCELAIN LEVER NR692102a03CH		AGED BRASS WITH METAL LEVER NR692102a02AB
	MATTE BLACK WITH WHITE PORCELAIN LEVER NR692102a01MB		

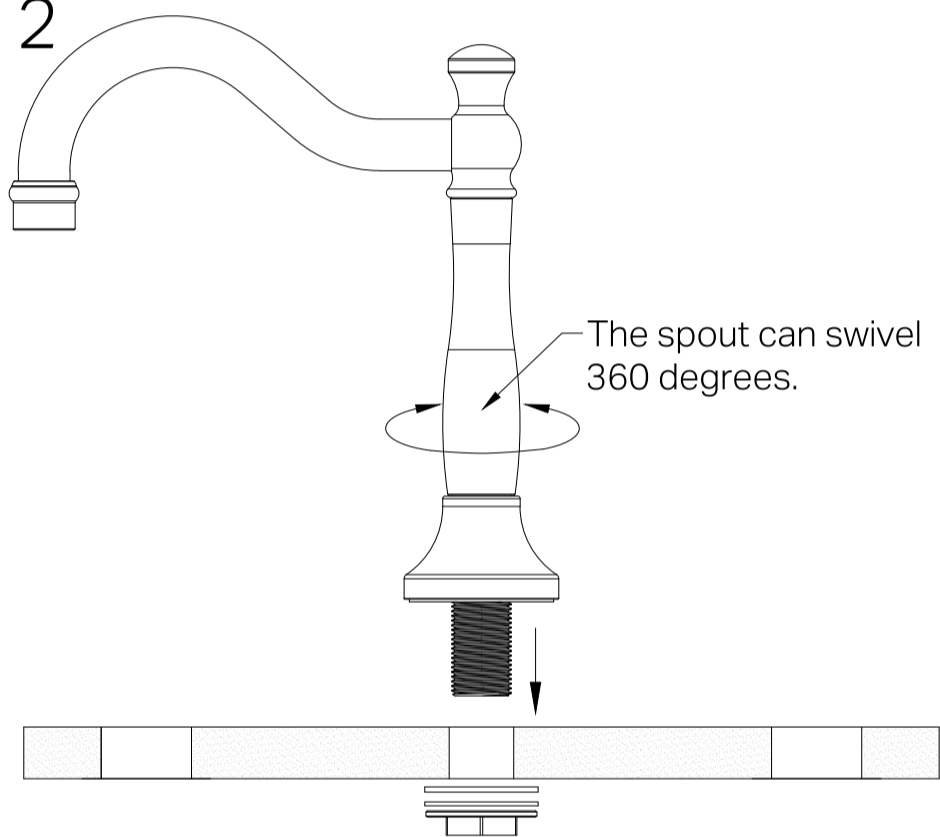
*Dimensions are nominal measurements only.

1



- Make holes on bench-top as shown in the above image.

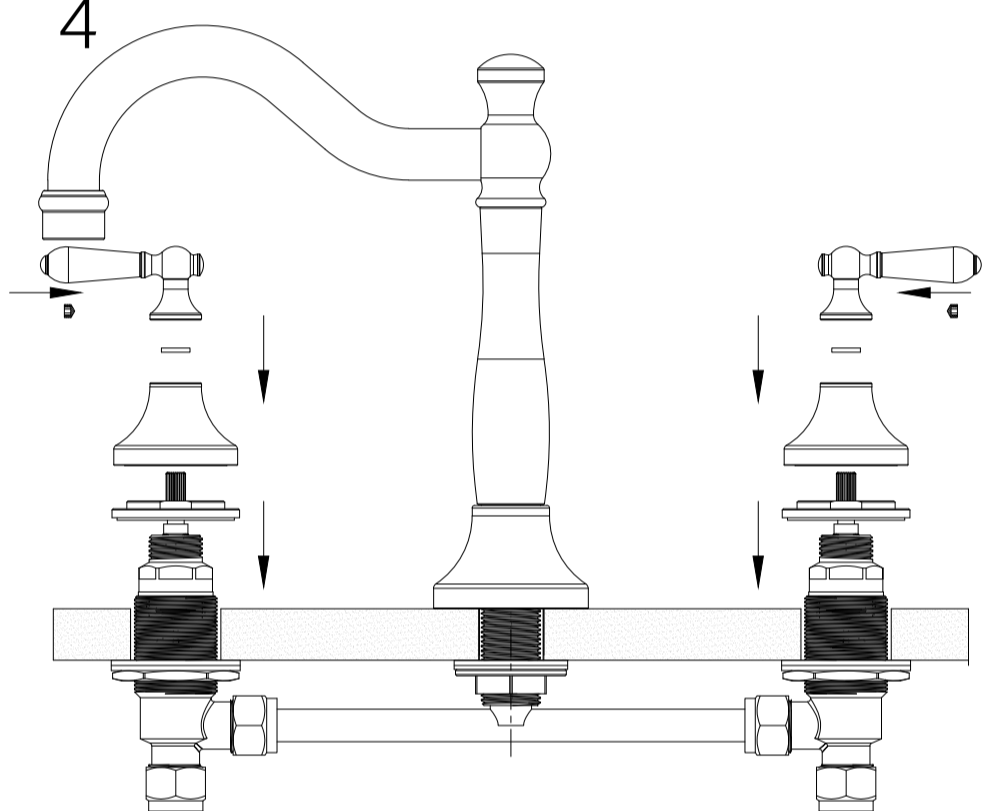
2



The spout can swivel 360 degrees.

- Remove the hex nut and washer from the spout.
- Insert the spout into the designated opening on the bench-top.
- From underneath the bench-top, place the washer onto the spout, then secure the spout by tightening the hex nut.

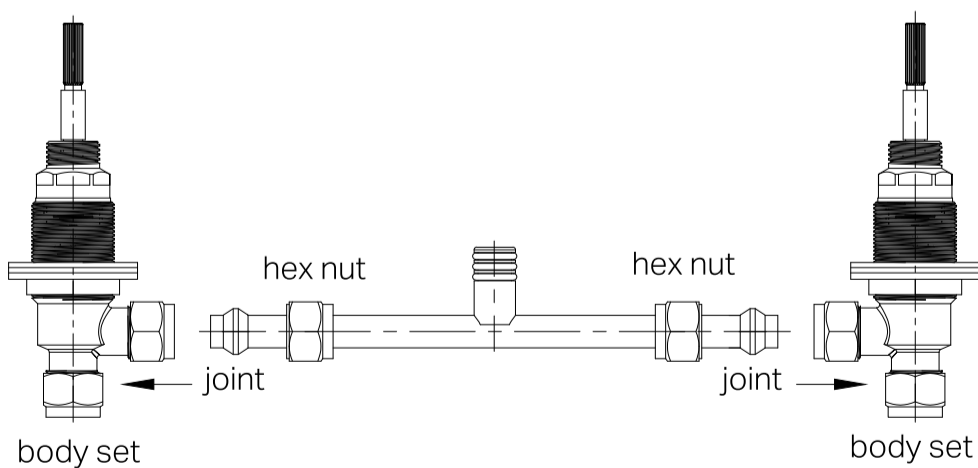
4



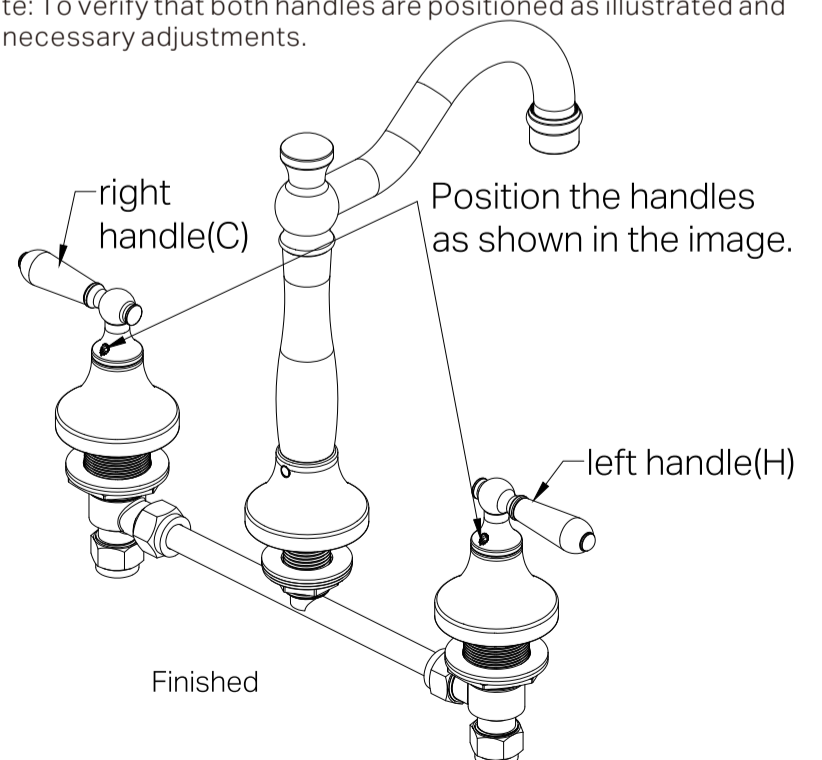
- Insert the pre-assembled mixer (from Step 3) through the bottom opening of the bench-top.
- Place the plates over the bench-top and firmly tighten the plates using a wrench.
- Slide the dressing bells up towards the bench-top, ensuring the washer is placed inside the handles.
- Correctly position the right and left handles as indicated in the diagram.
- From below, tighten the hex nuts on the mixing tube with a wrench to secure the assembly.

Please note: To verify that both handles are positioned as illustrated and make any necessary adjustments.

3



- Detach the hex nut and joint from the mixer's body set.
- Align and insert the joint into the body sets.
- Secure the joint by hand-tightening the hex nuts onto the mixing tube. Do not over-tighten, as adjustments may be needed later.



Nero

info@nerotapware.com.au
nerotapware.com.au

11-13 Buontempo Road
Carrum Downs Vic 3201

