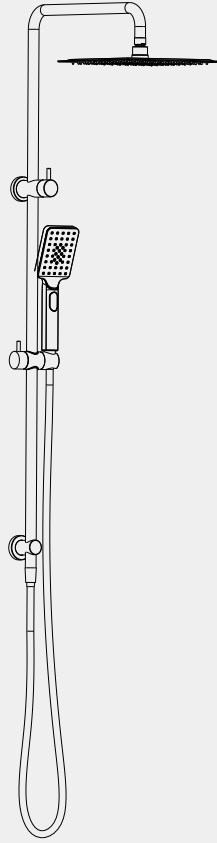


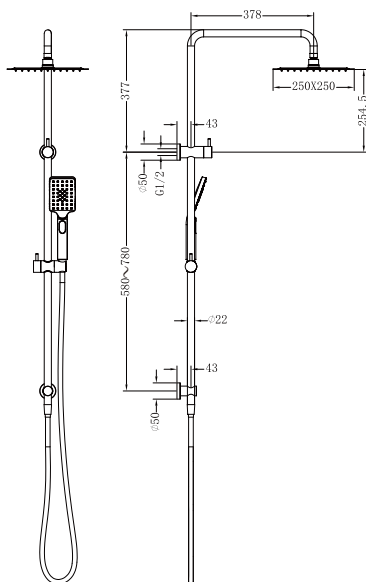
# Square Project Twin Shower

# Nero



Versions:202401

## Drawing



## Specifications

### Watermark License

WM-060093

### Temperature Rating

Min 1 °C - Max 75 °C






### Pressure Rating

Min 150kpa - Max 500kpa

## Packaging Includes

1x Shower Arm  
1x Shower Rail  
1x Shower Head  
1x Hand Shower  
1x 1.5m Pvc Hose  
1x Installation Kit

## Finish & SKU

 Chrome NR232105eCH	 Gun Metal NR232105eGM	 Brushed Nickel NR232105eBN
 Matte Black NR232105eMB	 Brushed Gold NR232105eBG	

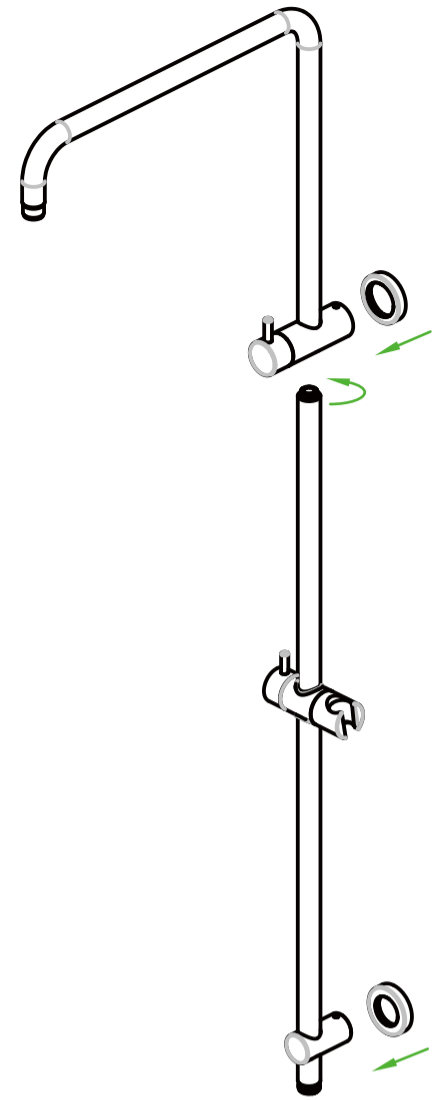
\*Dimensions are nominal measurements only.



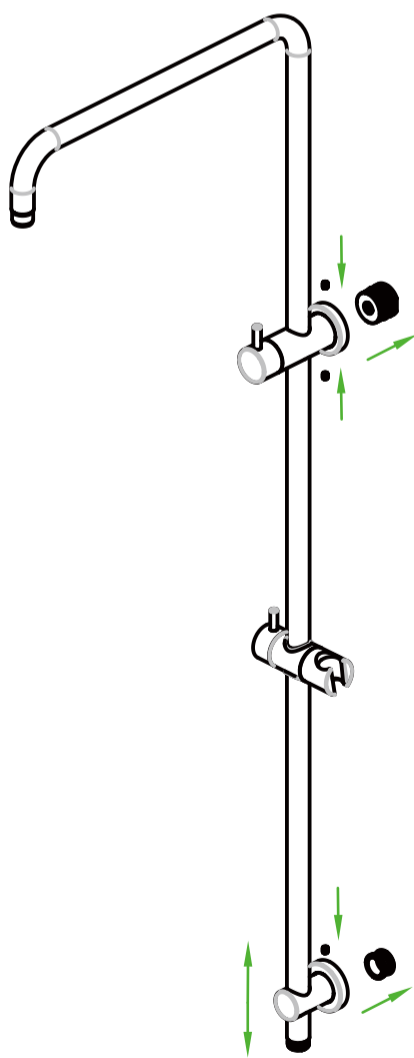
1. Drill a  $\phi 6$ mm hole at the outlet vertical downward position in the recommended range.



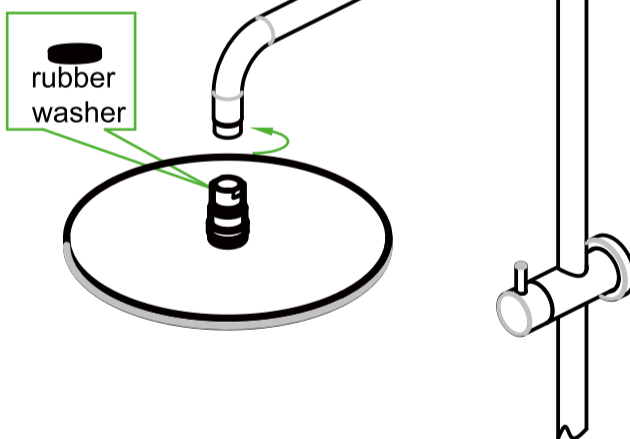
2. Screw the adapter onto the outlet. Push wall plug into drilled hole. Fit lower mounting pillar in place with screw. Tighten firmly.



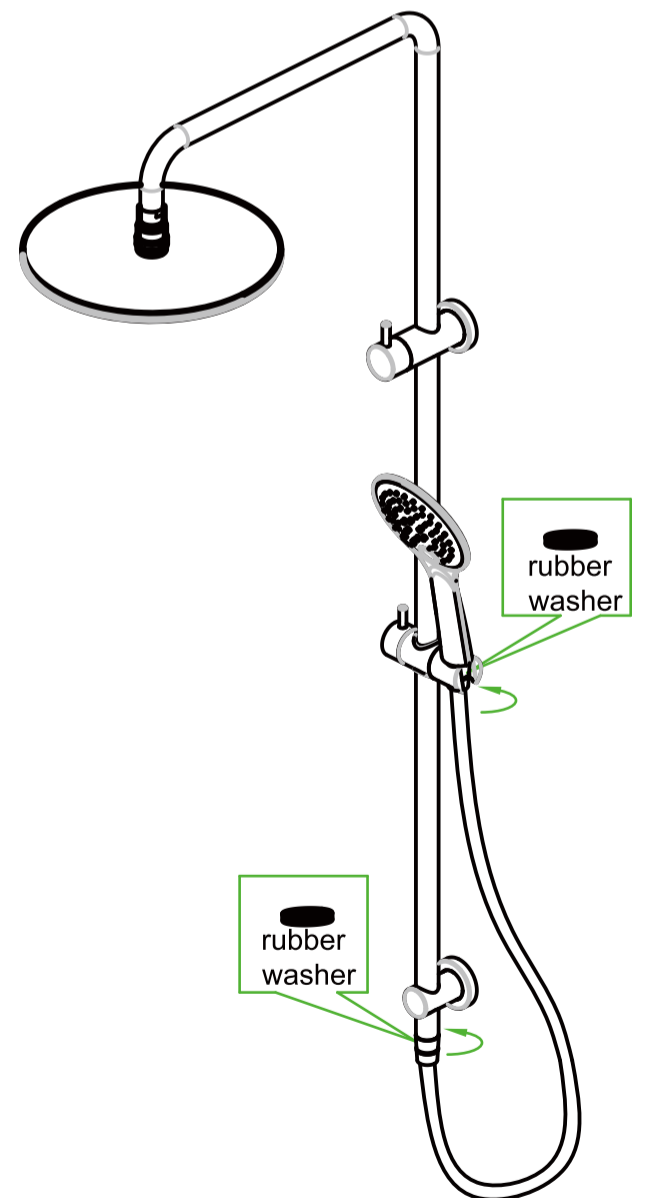
3. Screw shower rail into shower arm component. Tighten firmly. Push 2 back plates onto shower arm component and lower mounting pillar.



4. Locate and push shower rail assembly onto wall adapters. Tighten grub screws firmly with allen key provided. Slide the back plates against the wall/tile face properly.



5. Screw shower head to shower arm with care. (Note the rubber washer in the shower head.)



6. Please noted the rubber washer in the hand shower. Connect shower rail and hand shower with hose. TEST & CHECK FOR LEAKS.

# Nero

info@nerotapware.com.au  
nerotapware.com.au

11-13 Buontempo Road  
Carrum Downs Vic 3201

