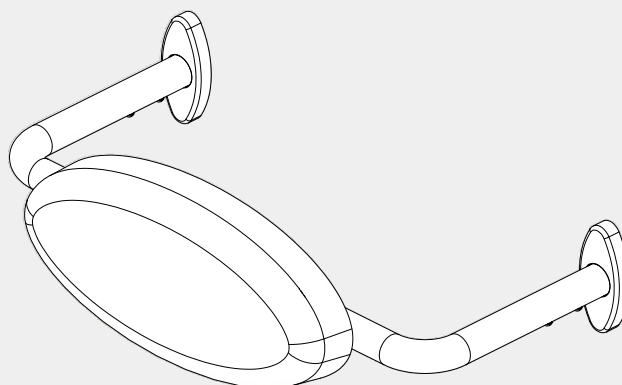
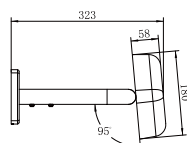
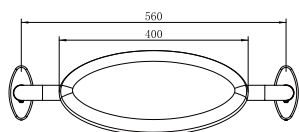
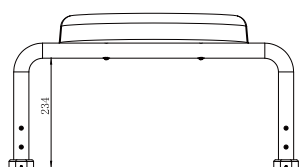


# Mecca Care DDA Toilet Backrest

# Nero



## Drawing



## Specifications

**SKU**  
NRCR0001

### Warning:

These rails are designed to be mounted onto wall studs or masonry walls. Installation is recommended to be completed by qualified trades person who complies with the AS 1428.1-2009 design for access and mobility standard. It is recommended rail location is determined by a qualified occupational therapist or trained professional to the AS 1428.1-2009 standard. Correct installation is required to ensure safe, long term operation. Incorrect mounting can result in reduced capacity of the rail which can result in injury to user and damage to the wall.

## Finish

 **Chrome**  
NRCR0001CH

 **Gun Metal**  
NRCR0001GM

 **Brushed Bronze**  
NRCR0001BZ

 **Matte Black**  
NRCR0001MB

 **Brushed Gold**  
NRCR0001BG

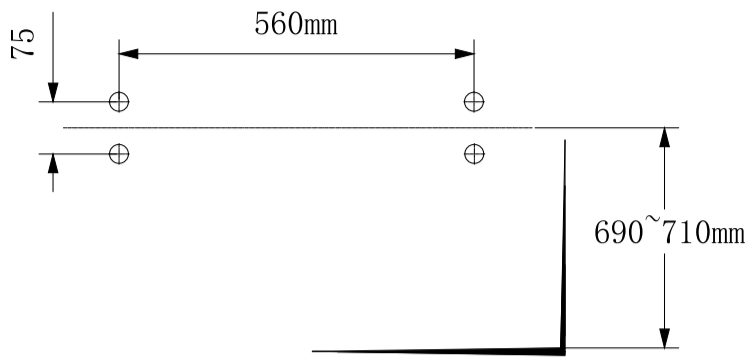
 **Brushed Nickel**  
NRCR0001BN

## Features

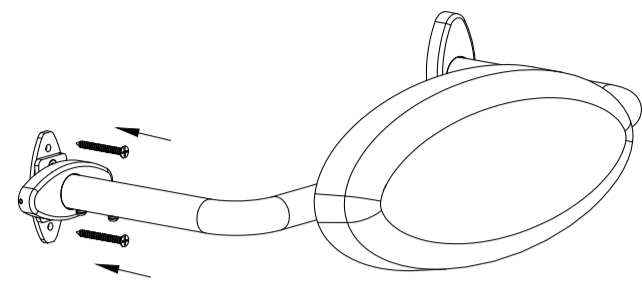
1. Australian owned and designed.
2. High quality, high strength materials and finishes.
3. 150kg capacity when installed into brick/masonry or multiple wall studs.
4. AS 1428.1 Compliant for DDA bathrooms.
5. Gun metal, brushed gold and brushed bronze colours are PVD coated for long term durability.

\*Dimensions are nominal measurements only.

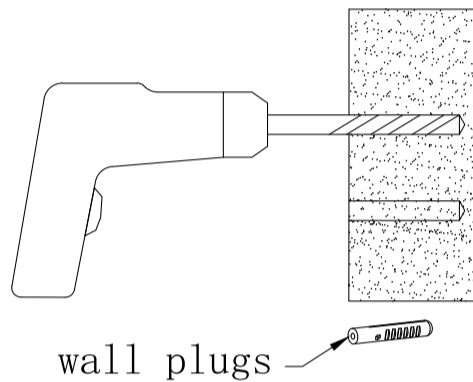
# Installation Instruction



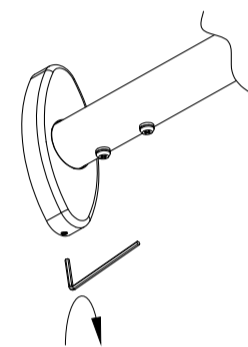
1. Before beginning installation, ensure that the wall is suitable for installing the backrest. Place the wall fixing plate on the wall at the correct height over the center of a stud and mark hole positions on the wall (refer to above picture). Tip: The backrest should be installed at a height of 690-710mm above ground level.



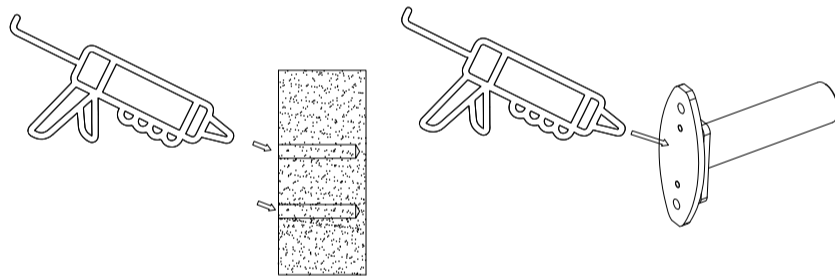
6. Secure the wall mounting plate and rails onto the wall.



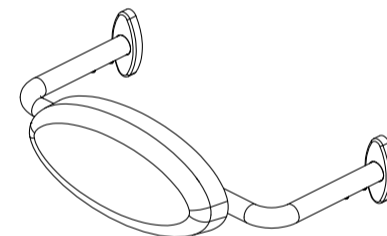
2. Drill pilot holes into the wall stud to a depth of approximately 60mm in order to accommodate mounting screws (and wall plugs if necessary). Tip: Use 3mm hole for screws into timber or 8mm hole for wall plugs.



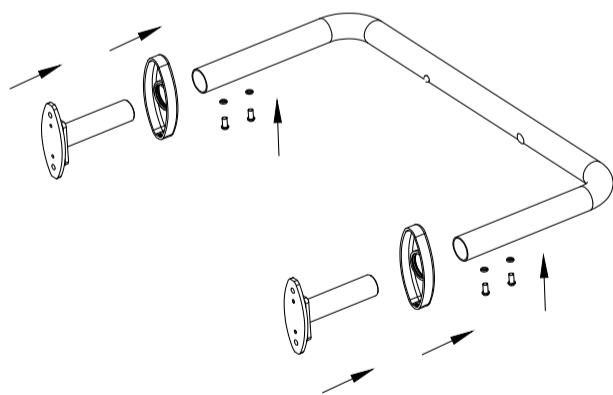
7. Reposition the cover plates onto the wall fixing plate and secure them by tightening the grub screw with an Allen key.



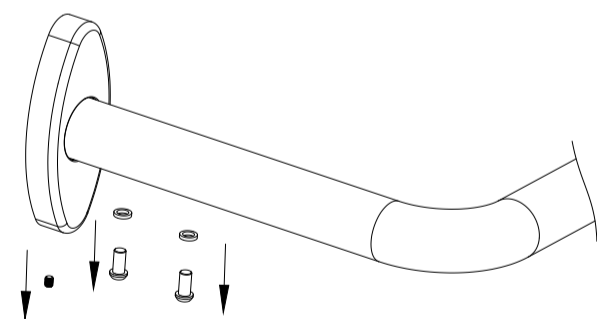
3. Reapply a small quantity of silicone to the wall fixing plate and the surrounding areas of the screw holes



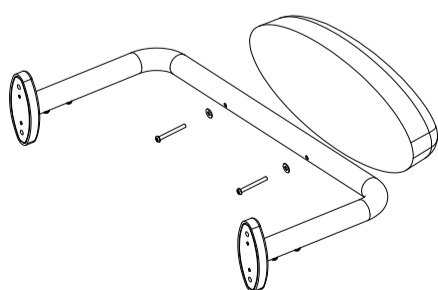
8. Finished.



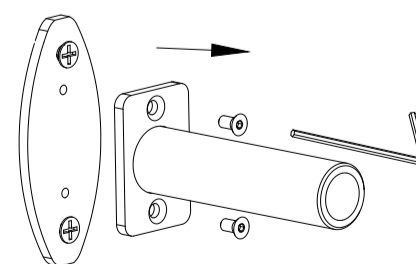
4. Slide the cover plate onto the rail, followed by inserting the wall fixing plate into the rail and securing it with a washer and grub screw.



9. Backrest can be removed, if you want. Loosen screws on rails and screws on cover plates. And take off rail and plates.



5. Tighten the backrest onto rail by washer and screws.



10. Loosen the screws on brackets (refer to above picture). Then you can take off the backrest.

# Nero

info@nerotapware.com.au  
nerotapware.com.au

11-13 Buontempo Road  
Carrum Downs Vic 3201



**MECCA CARE  
DDA CARE 32MM**