

## ***Celia*** Bathroom Accessories

Versions:202311

### Finish

---



Chrome



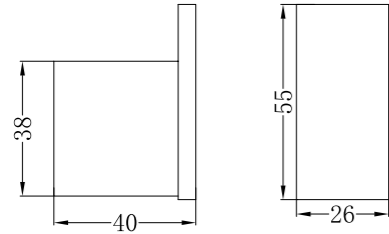
Matte Black



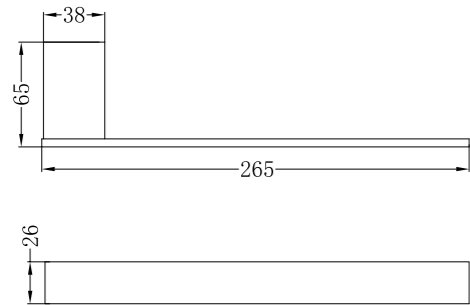
Brushed Nickel

# Celia Bathroom Accessories

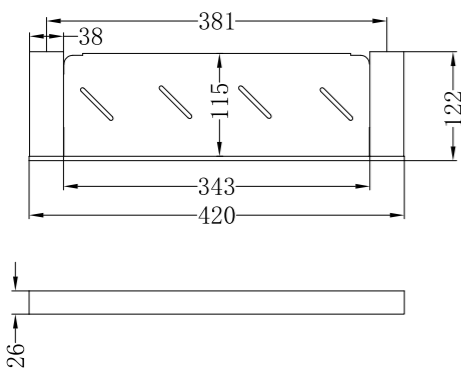
**ROBE HOOK**  
NR4682CH / NR4682MB / NR4682BN



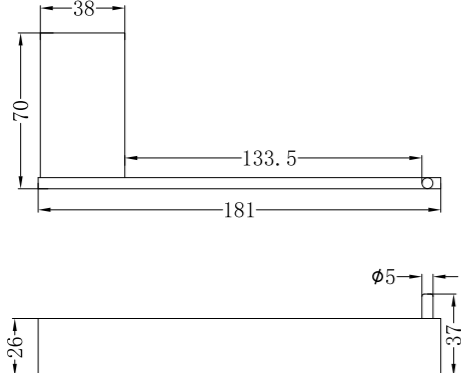
**HAND TOWEL RAIL**  
NR4680CH / NR4680MB / NR4680BN



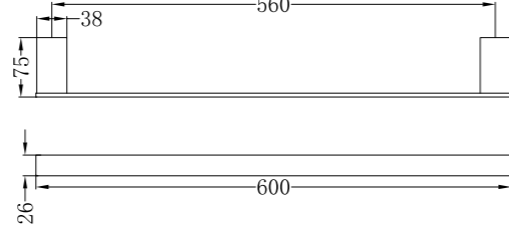
**METAL SHELF**  
NR4687aCH / NR4687aMB / NR4687aBN



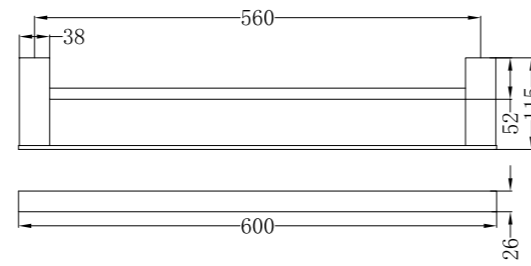
**TOILET ROLL HOLDER**  
NR4686CH / NR4686MB / NR4686BN



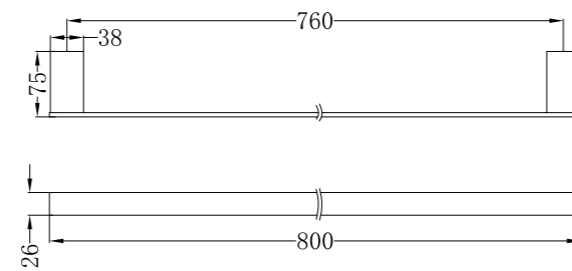
**SINGLE TOWEL RAIL 600MM**  
NR4624CH / NR4624MB / NR4624BN



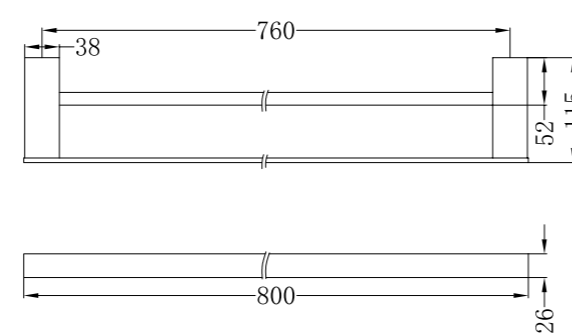
**DOUBLE TOWEL RAIL 600MM**  
NR4624dCH / NR4624dMB / NR4624dBN



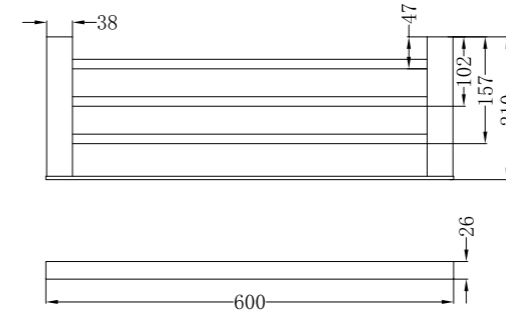
**SINGLE TOWEL RAIL 800MM**  
NR4630CH / NR4630MB / NR4630BN



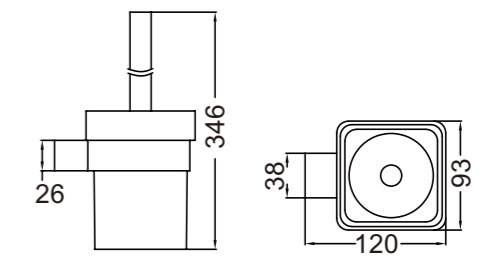
**DOUBLE TOWEL RAIL 800MM**  
NR4630dCH / NR4630dMB / NR4630dBN



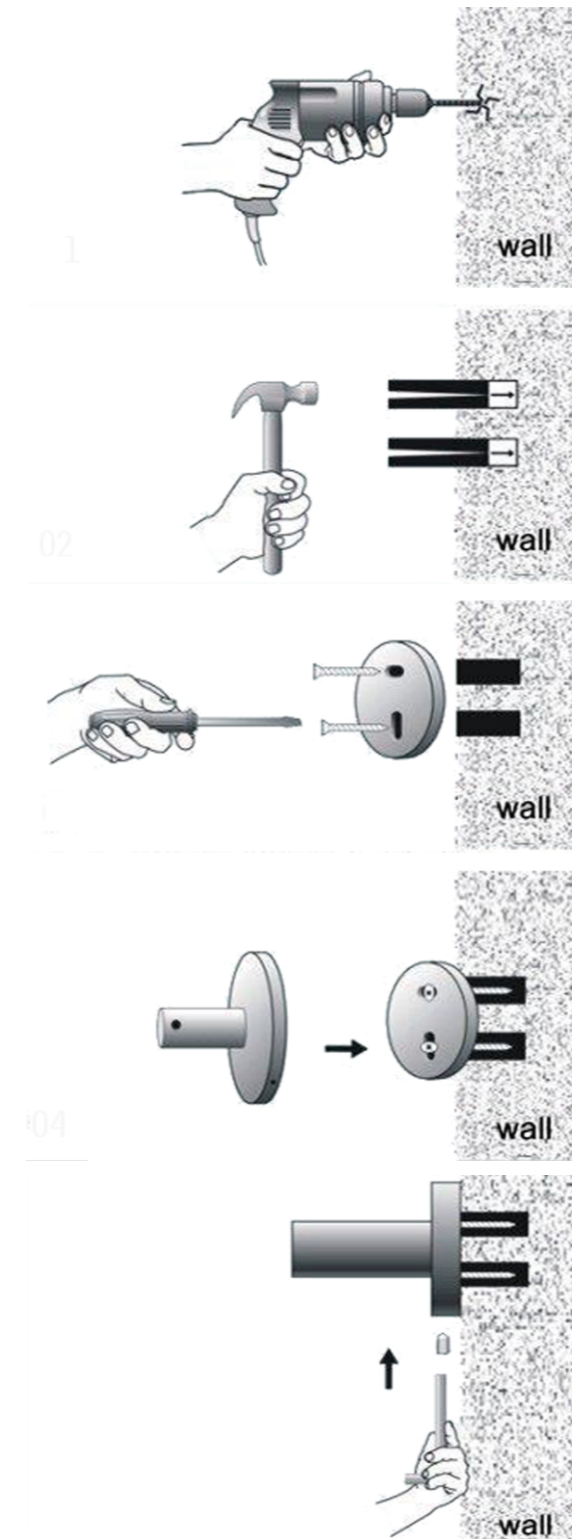
**TOWEL RACK**  
NR4689CH / NR4689MB / NR4689BN



**CELIA TOILET BRUSH HOLDER**  
NR4688CH/NR4688MB/NR4688BN



## Installation Instruction



1. Put the fixing blocks (piece) over on the right place on the wall , and stay level, use marking pen through the holes of fixing block to mark out fixing spots on the wall. Then drill holes by electric hand drill with 6mm drilling bit on the spots.

2. Put the expansion plugs into the wall by hammer.

3. Put fixing block cover on the holes and fix firmly by expansion screws.

4. Put the base of bathroom accessory cover on the fixing blocks.

5. Screw grub screws into the base, make it against to the fixing block tight and firm.

# Nero

[info@nerotapware.com.au](mailto:info@nerotapware.com.au)  
[nerotapware.com.au](http://nerotapware.com.au)

11-13 Buontempo Road  
Carrum Downs Vic 3201

